

HIGH RECOVERY ATMOSPHERIC VENT 75 & 100 GALLON

HIGHEST RECOVERIES

- Capacity/input combinations up to 98 gallons/75,100 BTU's produce recoveries up to 81 gallons per hour.

FULLY AUTOMATIC CONTROLS WITH SAFETY SHUTOFF

- Accurate, dependable control system requires no electric connections.
- Fixed automatic gas shutoff device for added safety.

GREEN CHOICE® GAS BURNER

- Patented eco-friendly burner design reduces NOx emissions up to 33% and complies with Low-NOx emission requirements of 40 ng/J.

SELF-CLEANING DIP TUBE

- Reduces lime and sediment buildup, maximizes hot water output. Made from long-lasting Pex cross-linked polymer

COREGARD™ ANODE ROD

- Our anode rods have a stainless steel core that extends the life of the anode rod allowing superior tank protection far longer than standard anode rods.

PUSH-BUTTON PIEZO IGNITOR

- Makes lighting the pilot fast and easy with one-hand push-button spark ignition (natural gas only)

NIPPLES

- Factory-Installed for faster installation

BLUE DIAMOND® GLASS COATING

- Provides superior corrosion resistance compared to industry-standard glass lining.

ENHANCED-FLOW BRASS DRAIN VALVE

- Our residential water heaters have a solid brass, tamper resistant, enhanced flow, ball type, drain valve.
- Uses a standard female hose fitting that allows for fast and easy draining during maintenance.
- Designed for easy operation, this valve includes an integral screwdriver slot that features a 1/4 turn (open/close) radius, which not only permits full straight-through water flow but also a quick and positive shut off.

CODE COMPLIANCE

- Meets UBC, CEC and ICC National Codes.
- Meets the thermal efficiency and standby loss requirements of the U.S. Department of Energy and current edition of ASHRAE/IESNA 90.1

CSA CERTIFIED AND ASME RATED T&P RELIEF VALVE

MAXIMUM HYDROSTATIC WORKING PRESSURE 150 PSI

DESIGN-LISTED BY UNDERWRITERS LABORATORIES

- Certified at 300 PSI test pressure and 150 PSI working pressure.
- Listed according to ANSI Z21. 10.3 CSA 4.3 standards governing storage tank-type water heaters.

6-YEAR LIMITED TANK AND PARTS WARRANTY

- For complete information, consult written warranty or go to www.americanwaterheater.com

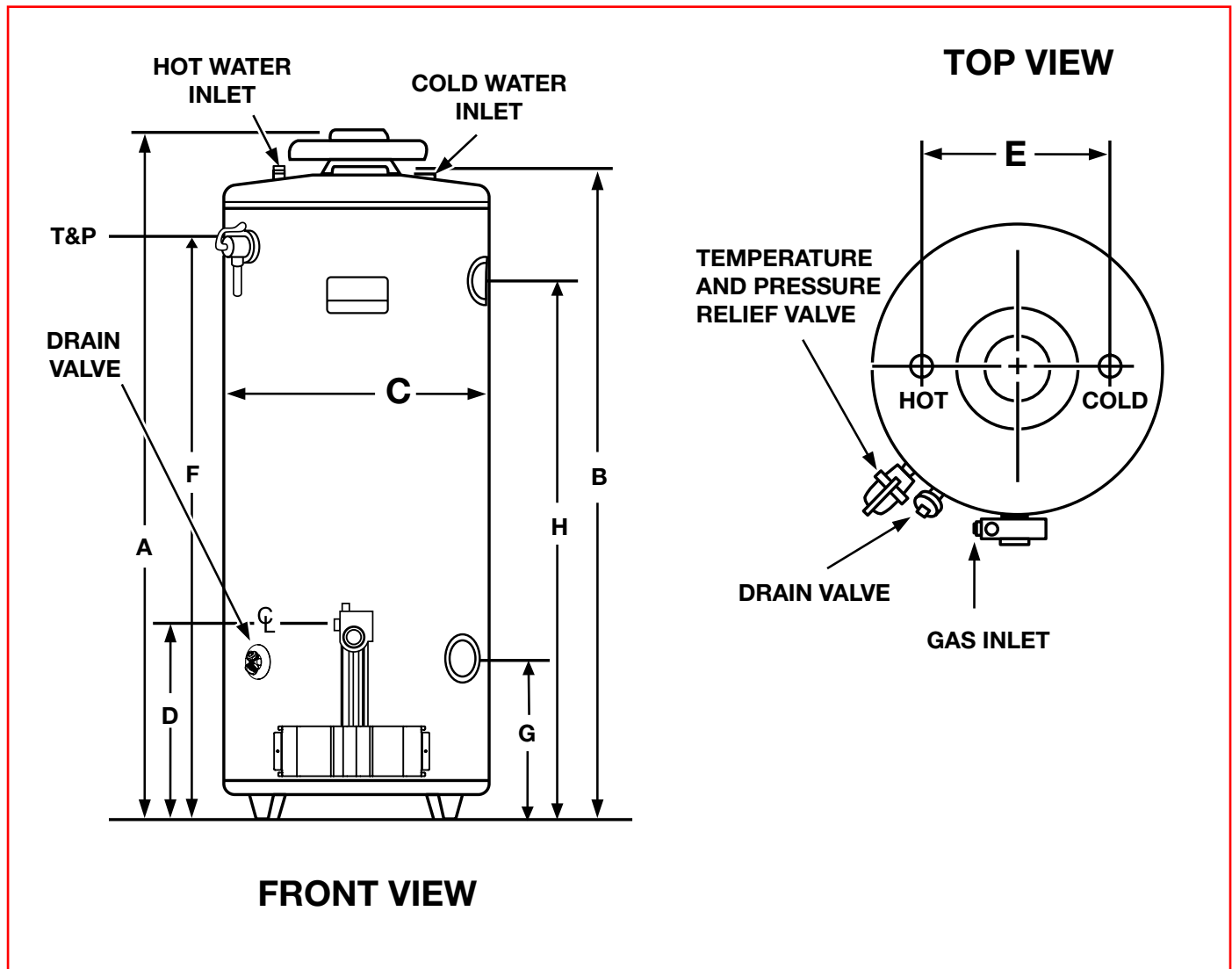




Residential Gas Water Heaters

Model Number	Gallon Capacity	BTU Input Natural Gas	Recovery @ 90°F Rise Gallon Per Hour	Dimensions in Inches									Draft Hood	Approx. Shipping Weight (lbs)
				A	B	C	D	E	F	G	H			
G62-75T75-4NOV	74	75,100	81	61	58-1/2	26-1/2	15-3/16	16	50-1/4	15-1/2	50-1/4	4	275	
G62-100T77-4NOV	98	75,100	81	68-1/2	66-1/2	27-3/4	15-3/16	16	57-3/8	N/A	N/A	4	350	

Water connections are 1" male NPT on the G62-75T75-4NOV and 1-1/4" on G62-100T77-4NOV.
 10- year tank and 6-year parts limited warranty, change "6" to "10" in the model number. Example: G102-75T75-4NOV.
 All models certified from sea level to 7,700 ft. elevation.
 All models available in propane (LP) gas.
 Dimensions and specifications subject to change without notice in accordance with our policy of continuous product improvement.



For technical information call (800) 999-9515. American Water Heaters reserves the right to make product changes or improvements without prior notice.